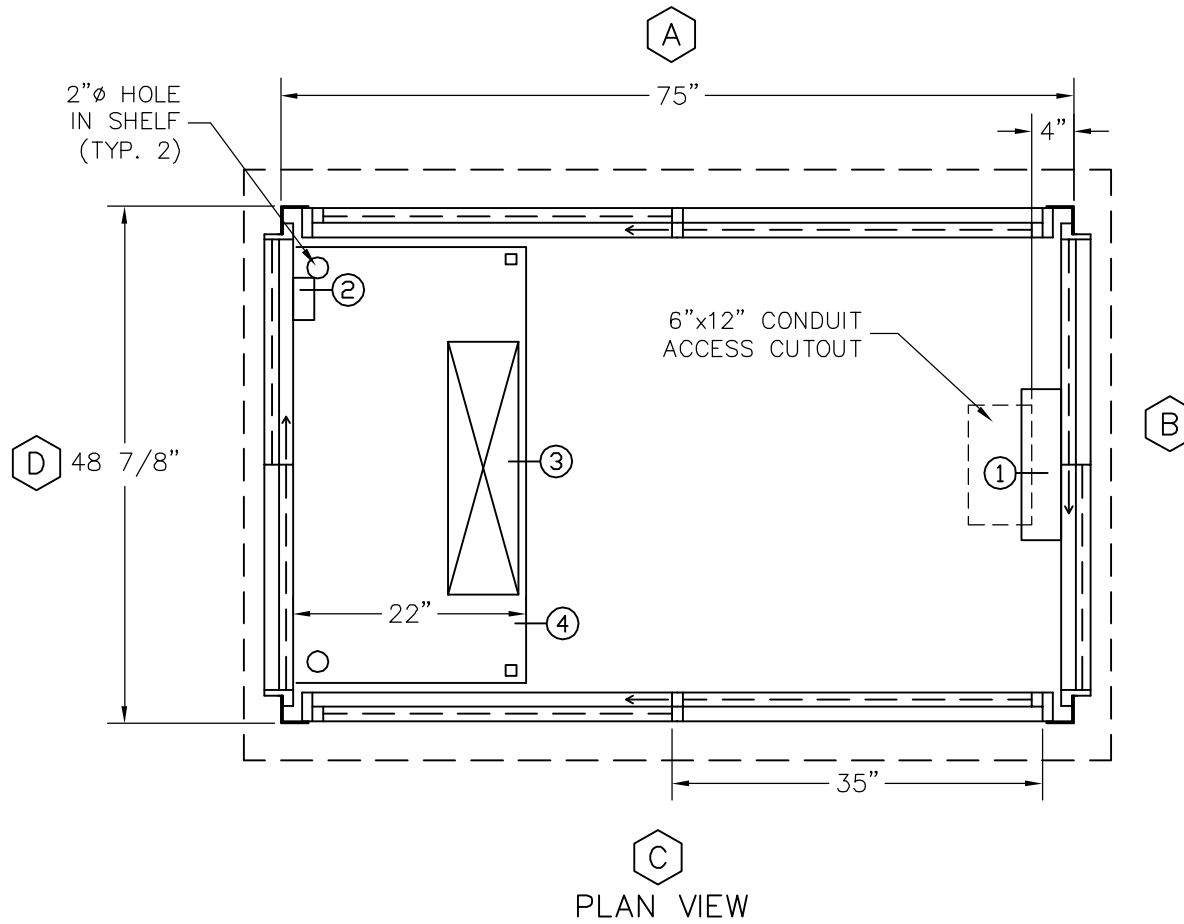


THESE DRAWINGS AND SPECIFICATIONS HAVE BEEN PRODUCED IN ACCORDANCE WITH PORTA-KING'S PROPOSAL AND THE PROJECT DESIGN. THE PROJECT WILL BE MANUFACTURED IN ACCORDANCE TO THIS INFORMATION AS SUBMITTED. THE SECURING OF BUILDING PERMITS AND COMPLIANCE WITH APPROPRIATE BUILDING CODES IS NOT THE RESPONSIBILITY OF PORTA-KING, BUT IS THE RESPONSIBILITY OF THE PURCHASER OF THE BUILDING.

- APPROVED AS SUBMITTED, RELEASE FOR MANUFACTURING
- APPROVED AS NOTED, RELEASE FOR MANUFACTURING
- REVISE AND RESUBMIT

SIGN : _____ DATE : _____




PLAN VIEW

DURALUMINUM MODEL ECON07648DSL BUILDING NOTES:

- ① — 100 AMP, SINGLE PHASE LOAD CENTER w/ MAIN BREAKER
- ② — 115V DUPLEX OUTLET, 230V OUTLET
- ③ — 34 WATT SURFACE MOUNTED FLUORESCENT T-8 LIGHT FIXTURE
- ④ — 22" DEEP PLASTIC LAMINATED "WALNUT" SHELF

- * EXTERIOR MEMBRANE ROOF w/ 3" OVERHANG
- * 6068 BOTTOM TRACK SLIDING DOOR
- * GLAZING: 3/16" CLEAR TEMPERED GLASS
- * ALUMINUM TREAD PLATE FLOOR
- * STANDARD CONDUIT ACCESS CUTOUT
- * U.L. LABEL FOR COMPLIANCE WITH THE N.E.C.

 PORTA-KING BUILDING SYSTEMS 4133 SHORELINE DRIVE EARTH CITY, MISSOURI 63045 1-800-BUILDING 314-291-4200 FAX 314-291-2857		
TITLE		MODEL ECON07648DSL
JOB NO.	DRAWN BY	SHEET
SCALE NTS	DATE REVISED	1 OF 3