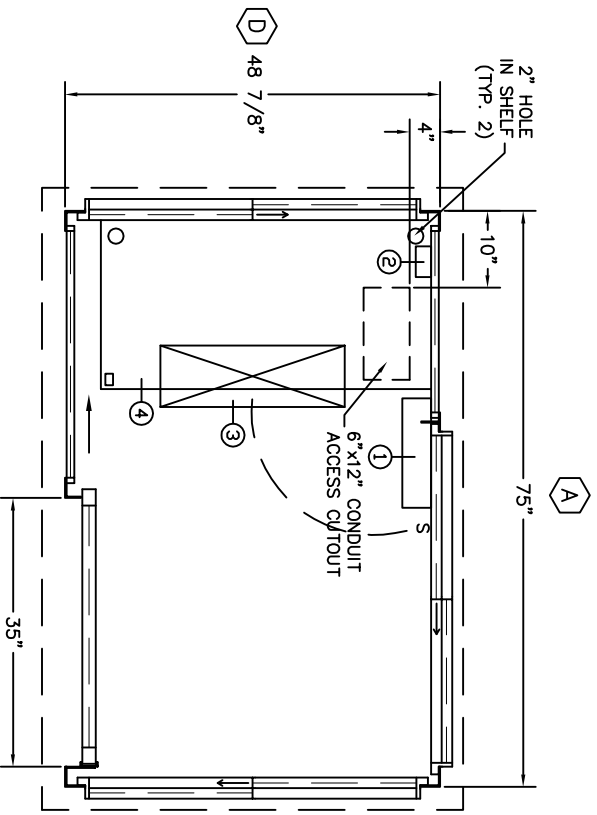


WALL SECTION DETAIL



PLAN VIEW

DURALUMINUM 7648SL BUILDING NOTES :

- ① 100 AMP SINGLE PHASE 12 CIRCUIT MAIN LOAD CENTER
- ② 115V DUPLEX, 250V OUTLET
- ③ 40 WATT SURFACE MTD. FLUORESCENT LIGHT
- ④ 22" DEEP SHELF
- * 3" OVERHANG EXTERIOR MEMBRANE ROOF
- * 1- HEAVY DUTY ALUMINUM DOOR 3072 W/HALF GLAZING, ADA HANDLES, AND HOOKBOLT DEADLOCK
- * GLAZING- CLEAR TEMPERED GLASS
- * ALUMINUM TREADPLATE FLOOR

THESE DRAWINGS AND SPECIFICATIONS HAVE BEEN PRODUCED IN ACCORDANCE WITH PORTA-KING'S PROPOSAL AND THE PROJECT DESIGN. THE PROJECT WILL BE MANUFACTURED IN ACCORDANCE TO THIS INFORMATION AS SUBMITTED. THE SECURING OF BUILDING PERMITS AND COMPLIANCE WITH APPROPRIATE BUILDING CODES IS NOT THE RESPONSIBILITY OF PORTA-KING, BUT IS THE RESPONSIBILITY OF THE PURCHASER OF THE BUILDING.

APPROVED AS SUBMITTED, RELEASE FOR MANUFACTURING

APPROVED AS NOTED, RELEASE FOR MANUFACTURING

REVISE AND RESUBMIT

SIGN : _____ DATE : _____

		BUILDING SYSTEMS	
4133 SHORELINE DRIVE 1-800-BUILDING 314-291-291-4200		EARTH CITY, MISSOURI 63045 FAX 314-291-2857	
TITLE		MODEL 7648SL	
JOB NO.		DRAWN BY	
SCALE		DATE	
		SHEET	

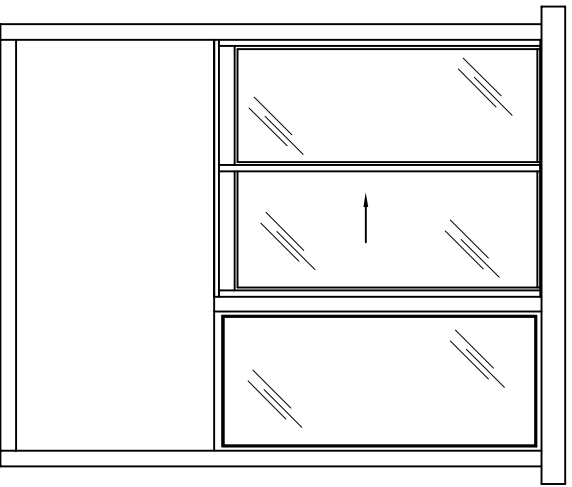
THESE DRAWINGS AND SPECIFICATIONS HAVE BEEN PRODUCED IN ACCORDANCE WITH PORTA-KING'S PROPOSAL AND THE PROJECT DESIGN. THE PROJECT WILL BE SECURED BY PORTA-KING'S SECURITY MANUFACTURING PACKAGE. THIS INFORMATION IS PROVIDED FOR YOUR INFORMATION AND DOES NOT CONSTITUTE AN OFFER. PORTA-KING ASSUMES NO LIABILITY FOR THE SECURITY OF THE BUILDING. THE RESPONSIBILITY OF PORTA-KING, BUT IS THE RESPONSIBILITY OF THE PURCHASER OF THE BUILDING.

APPROVED AS SUBMITTED, RELEASE FOR MANUFACTURING

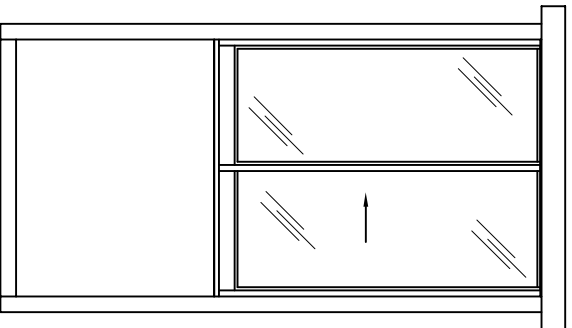
APPROVED AS NOTED, RELEASE FOR MANUFACTURING

REVISE AND RESUBMIT

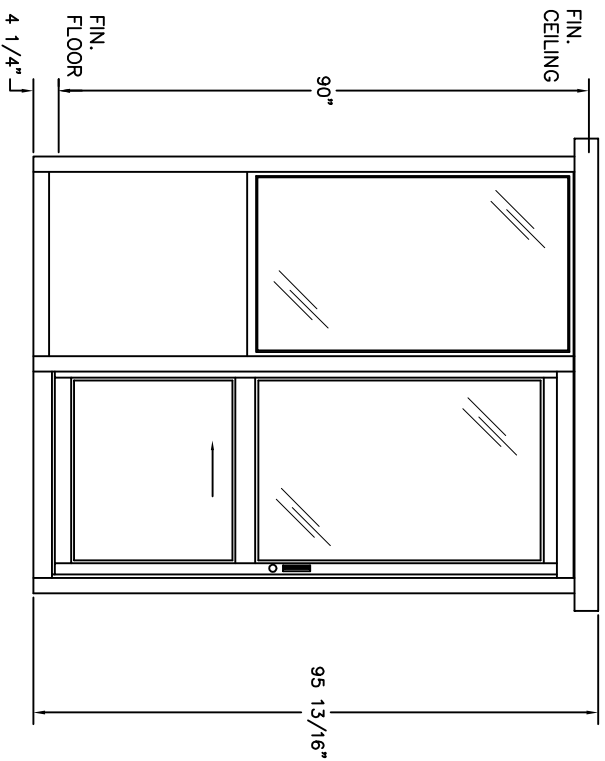
SIGN : _____ DATE : _____



ELEVATION A



ELEVATION B AND D



ELEVATION C

<p>PORTA-KING BUILDING SYSTEMS</p> <p>4133 SHORELINE DRIVE EARTH CITY, MISSOURI 63045 1-800-BUILDING 314-291-4200 FAX 314-291-2857</p>	
TITLE	MODEL 7648SL
JOB NO.	DRAWN BY
SCALE	DATE
SHEET	