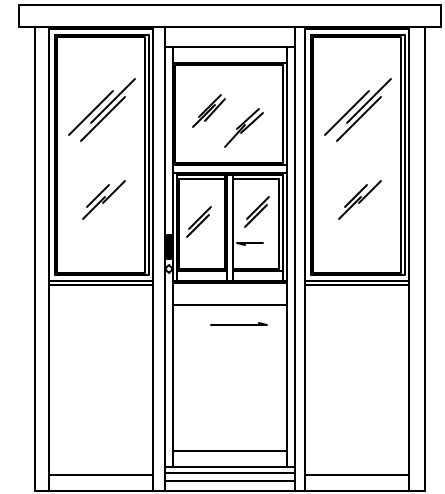


* MODEL 7664CSL- 75"x63"

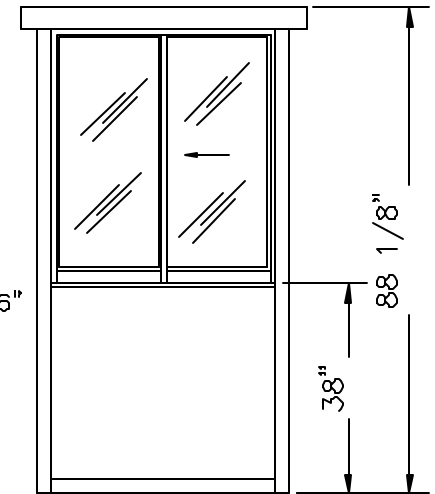
A
PLAN VIEW
(N.T.S.)

DOORS AVAILABLE BOTH SIDES-SUFFIX DSL

NOTE : BUILDING
HEIGHT WITHOUT
EXTERIOR ROOF- 86 9/16"



ELEVATION A



ELEVATION B

STANDARD ITEMS FOR A 7648CSL DURALUMINUM BUILDING

- ① — 100 AMP SINGLE PHASE 12 CIRCUIT MAIN LOAD CENTER
- ② — 115V DUPLEX, 230V OUTLET
- ③ — 40 WATT LIGHT FIXTURE
- ④ — 22" DEEP SHELF
- ⑤ — 3" OVERHANG EXTERIOR ROOF (OPTIONAL)
(REFER TO DURALUMINUM SPECIFICATIONS
FOR TYPICAL CONSTRUCTION)

PORTA-KING BUILDING SYSTEMS

4133 SHORELINE DRIVE EARTH CITY, MISSOURI 63045
1-800-456-5464 FAX 314-291-2857 www.portaking.com

TITLE

DURALUMINUM MODEL 7648CSL