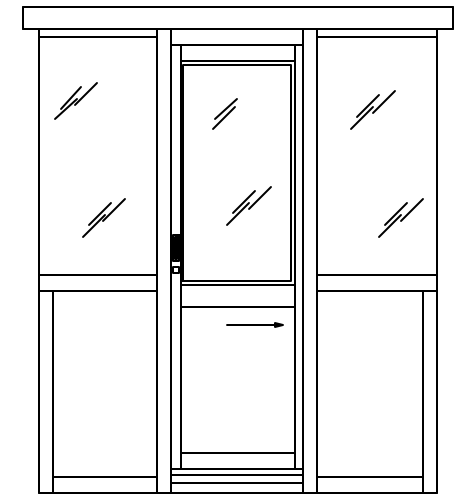


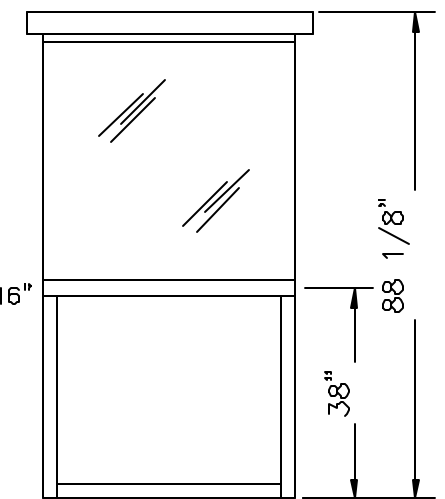
PLAN VIEW
(N.T.S.)

NOTE : BUILDING
HEIGHT WITHOUT
EXTERIOR ROOF- 86 9/16"

DOORS AVAILABLE BOTH SIDES-SUFFIX DSL
CASHIER WINDOW AVAILABLE
IN SLIDING DOOR-SUFFIX CSL



ELEVATION A



ELEVATION B

STANDARD ITEMS FOR A S7648SL DURALUMINUM BUILDING

- ① — 100 AMP SINGLE PHASE 12 CIRCUIT MAIN LOAD CENTER
 - ② — 115V DUPLEX, 230V OUTLET
 - ③ — 40 WATT LIGHT FIXTURE
 - ④ — 22" DEEP SHELF
 - ⑤ — 3" OVERHANG EXTERIOR ROOF (OPTIONAL)
- * 1/4" ACRYLIC WRAP-AROUND GLAZING
(REFER TO DURALUMINUM SPECIFICATIONS
FOR TYPICAL CONSTRUCTION)

PORTA-KING BUILDING SYSTEMS

4133 SHORELINE DRIVE EARTH CITY, MISSOURI 63045
1-800-456-5464 FAX 314-291-2857 www.portaking.com

TITLE

DURALUMINUM MODEL S7648SL