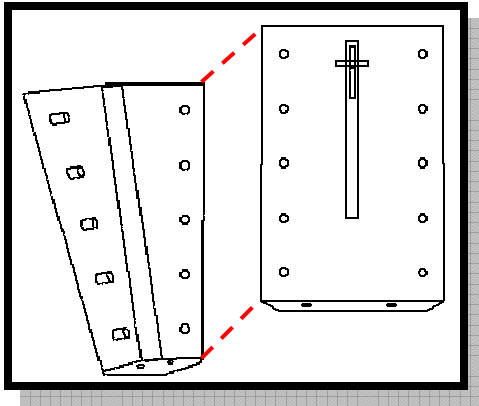




## MODULAR ARMORED SENTRY SHIELD ASSEMBLY GUIDE

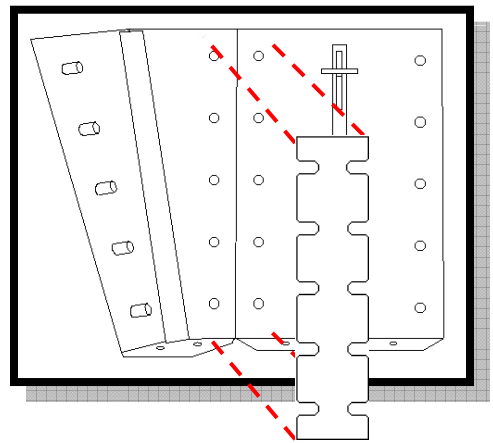




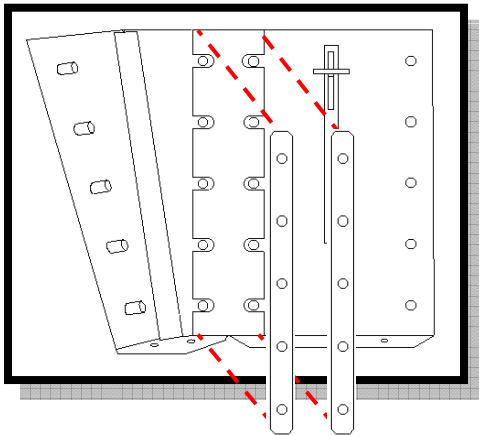
1. Place straight panel and corresponding straight and/or corner panel(s) to form desired ballistic emplacement.

2. Cover seams with ballistic connector strap.

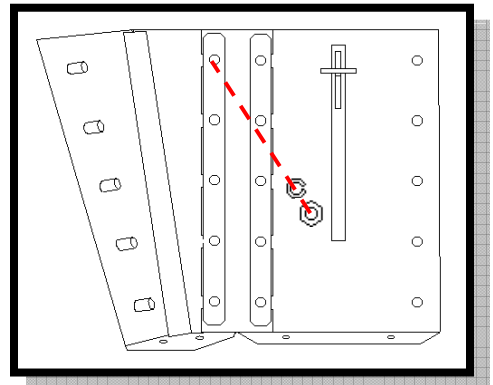
(Ballistic connector strap attaches panels together while maintaining ballistic integrity when uneven ground prevents a tight seam)

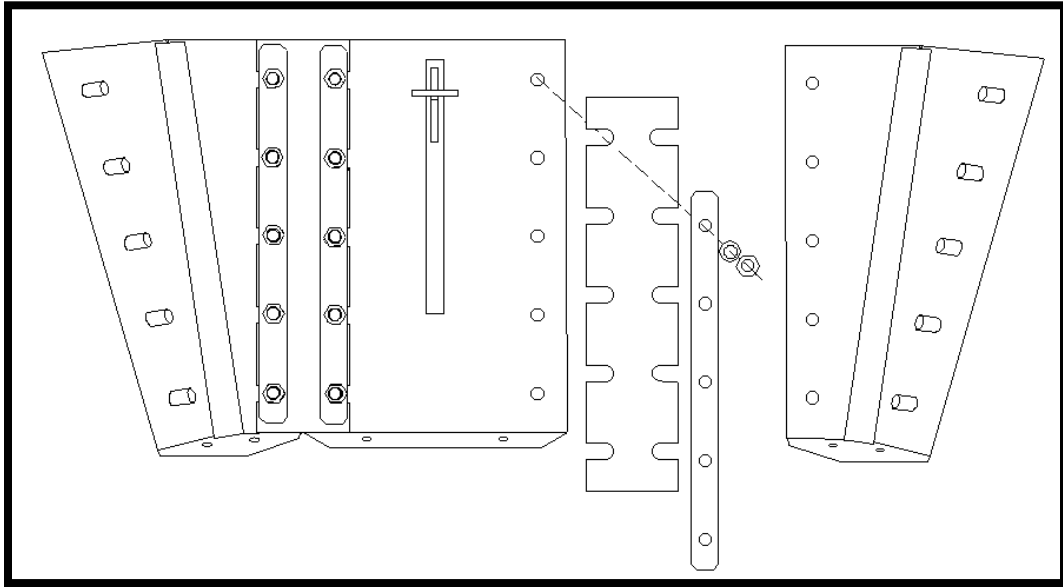


3. Fit securing bars on both sides of ballistic connector strap.

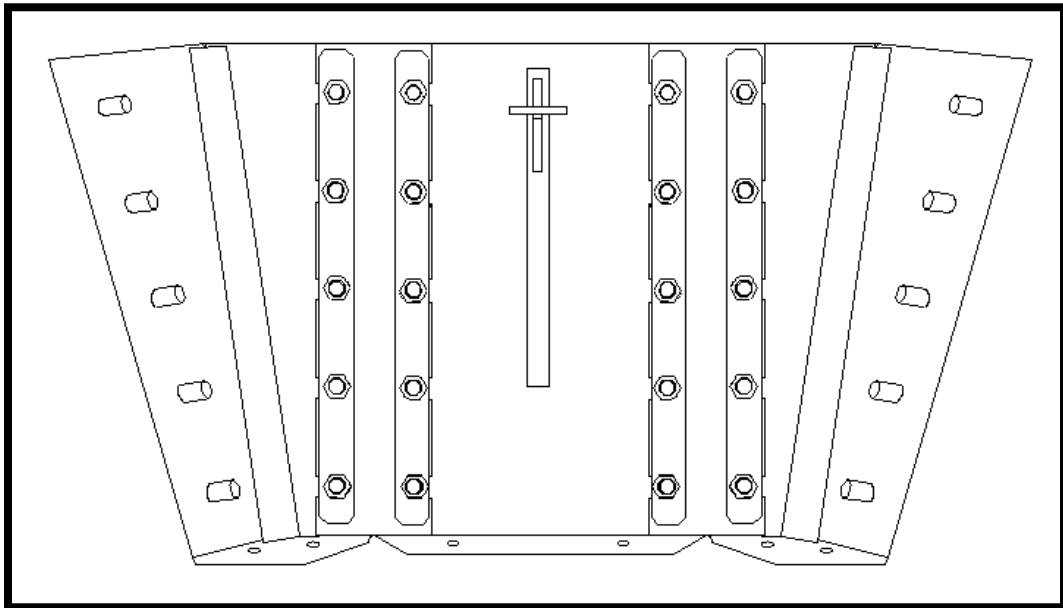


4. Fix securing bars in place with lock-washers and nuts.





Repeat steps 2 through 4 for each section added.



Special Tactical Services, LLC  
5190 Cleveland St.  
Virginia Beach, VA 23462

Tel: 757-554-0699  
Fax: 208-693-9692  
Email: [Training@Spectacserv.com](mailto:Training@Spectacserv.com)